

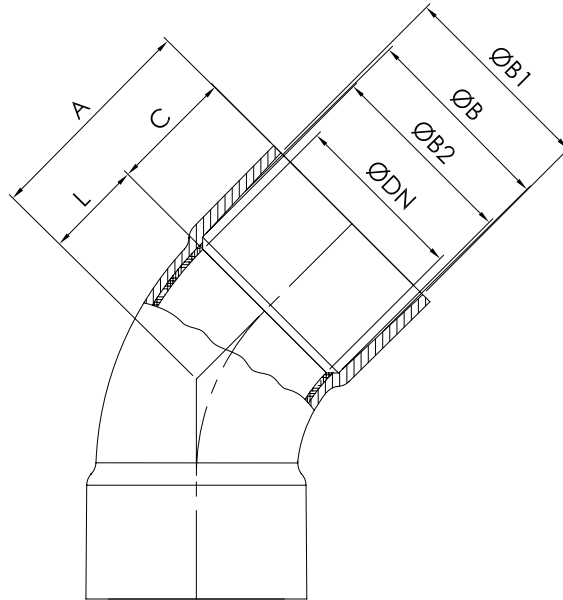
## 45° ELBOW

**EPI-DUR / VIN-DUR / ISO-DUR** Adhesive Bonded Type

Design:

PN 16 DN 25-40-50-65-80-100-150-200-250-300

PN 10 DN 350-400-500



DN	B (mm)	B2 (mm)	B1 (mm)	L (mm)	C (mm)	A (mm)	Weight (kg)
25	33.4	32.9	33.9	14	36	50	0.150
40	48.0	47.5	48.5	24	36	60	0.225
50	60.0	59.5	60.5	28	42	70	0.350
65	73.5	73	74	34.5	50	84.5	0.462
80	89.0	88.5	89.5	42	59	101	0.750
100	114.0	113.5	114.5	57	73	130	1.300
125	134.5	134	135	79	89	168	1.890
150	168.0	167.5	168.5	90	91	181	2.600
200	211	210.5	211.5	120	94	214	4.100
250	260	259.5	260.5	130	109	240	5.500
300	311.5	311	312	160	110	270	7.900
350	363.0	362.5	363.5	163	104	267	10.500
400	413.0	412.5	413.5	224	106	330	13.400
500	523.5	523	524	233	150	383	17.900